

Nibbler for fiber
composite materials

Versatile use,
unique cutting



No. 2347154_201805 – Subject to change



Worldwide:
TRUMPF Schweiz AG
TRUMPF Strasse 8 · CH-7214 Grösch · Phone +41 58 257 61 61 · Fax +41 58 257 64 02
E-Mail powertools@ch.trumpf.com · Homepage www.trumpf.com

Machine Tools / Power Tools
Laser Technology / Electronics



Clean, precise, flexible

Accuracy and clean cutting edges pose real challenges when it comes to the manual cutting of fiber composite materials. Fraying and delamination frequently occur. During the separation of the material smoke and harmful dust can form. The world's first nibbler for cutting fiber composite materials of any kind makes these difficulties a matter of the past.

Developed by experts

The nibbling method comprises continuous punching of the workpiece, in which the punched out material occurs in the form of chips. For metal processing, we have already perfected this cold separation process. As a longstanding specialist for hand-held Power Tools for metal processing, we have now developed the FCN 250 Nibbler to allow processors of composite fiber materials to also benefit from this technology.

„Until now the manual rework of fiber-reinforced composites has been complex and time-consuming. Now the Fiber Composite Nibbler allows me to work with all-round efficiency.“



Roland Hoffmann, Head of Operations,
Connova AG, Switzerland

Your benefits

- Precise working
- Perfect cutting edge
- Low dust formation during cutting
- Full freedom of movement
- Cuts all common fiber composite materials, even aramide



Experience the fiber composite nibbler in daily operation:
www.youtube.com/TRUMPFtube



Easy handling, full flexibility

With the Fiber Composite Nibbler, you have a clear view of the cutting line. Thanks to the 360 degree tool, you can cut flexibly in any desired direction. This allows you to quickly and accurately process even three-dimensional workpieces as well as hard to reach areas. In the process, the machine has an extreme high curve flexibility. Thus you can make precise cut-outs on scribed lines, as well as cutting straight lines or working in narrow radii.

Flexible in use



Straight-line cuts on scribed lines



Curved cuts



Cutting templates



Ideal also for aramide



TruTool FCN 250

Fiber Composite Nibbler



Legend, page 10

High stability
Aluminum cast housing for maximum longevity

Health-friendly working
Cold process without smoke. No harmful formation of dust.

Wide range of applications
Suitable for *CFRP, GFRP, AFRP; thermosets and thermoplastics

Outstanding cut quality
No delamination or fraying

Full processing freedom
Change cutting direction by 360°



Accessories

The Fiber Composite Nibbler comes with all necessary accessories; thus, it is ready for use in next to no time without any adjustment work. In addition to the supplied accessories, TRUMPF offers optional accessories that allow you to tailor the machine to your needs and requirements. All accessories are easy and quick to replace. This saves time and increases efficiency.



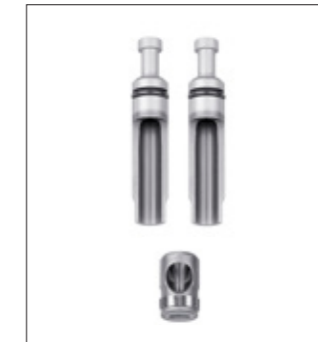
Tool consisting of punch guide, punch and die (included)

Order number
1 piece 2307264



Standard punch (1 piece included)

Order number
1 piece 2306491
Set of 5 2306492



Set (2x standard punch, 1x standard die)

Order number
1 piece 2306495



Suction unit for chips (hose, die, connecting piece)

Order number
1 piece 2294435



Standard die (1 piece included)

Order number
1 piece 2307263
Set of 2 2306494



Punch guide standard (included)

Order number
1 piece 2306496



Punch guide for stencil cutting

Order number
1 piece 2322882



Die for suction unit

Order number
1 piece 2322870
Set of 2 2322881

Order numbers machine				
Version	DE	CH	GB	USA
230 V, 50/60 Hz	2086919	2294163		
110 V, 50 Hz			2294166	
120 V, 60 Hz				2294168

Technical Data		
	TruTool FCN 250	
Max. material thickness	mm	2.5
Working speed	m / min	1.9
Min. start hole diameter	mm	17
Smallest radius	mm	4.3
Rated input power	W	550
Strokes at nominal load	1 / min	1'300
Weight without cable	kg	1.8

Further benefits

- Fast and fatigue-free working without forward force
- Ergonomically optimized weight distribution of all components
- Machine ready to use in no time without any adjustment
- Highest curve maneuverability
- Tool-free punch and die change
- Low operating costs due to high tool life

If you have any questions regarding the Fiber Composite Nibbler and its accessories, please feel free to contact us: Find your contact at www.trumpf.com

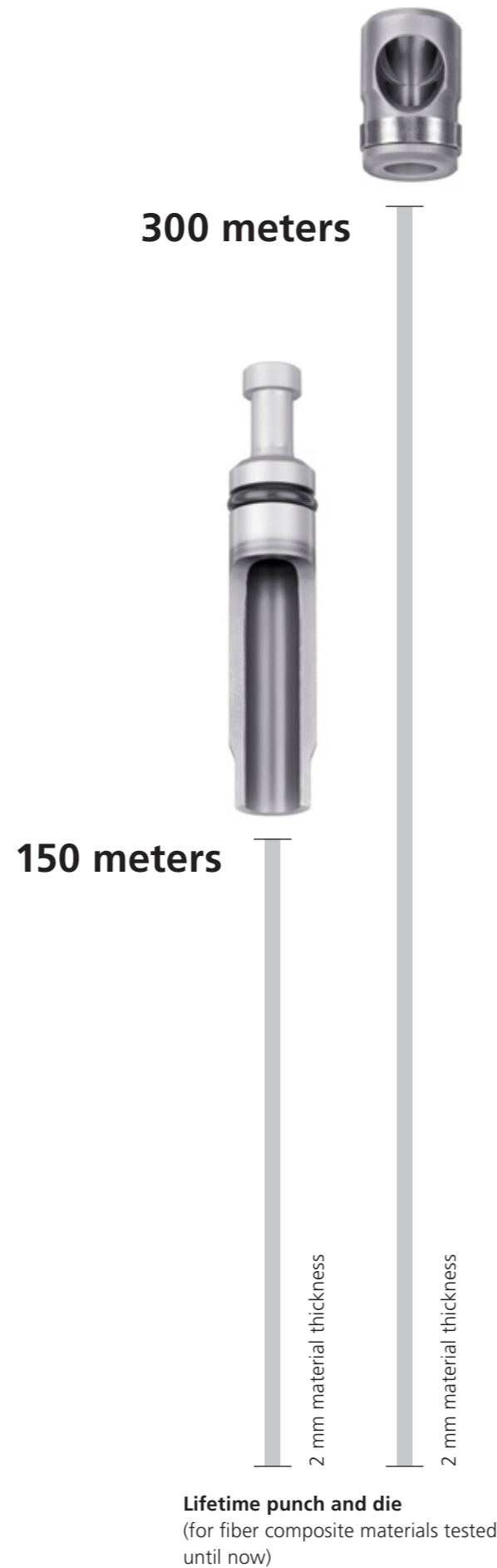
* CFRP = Carbon fiber reinforced plastic GFRP = Glas fiber reinforced plastic AFRP = Aramide fiber reinforced plastic

Subject to changes.

Cost savings as high as
50 %
 per meter compared to methods of competitors!

More meters, low cost

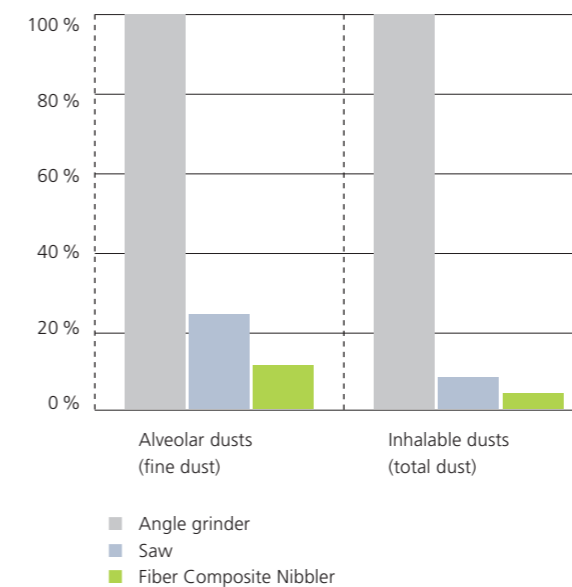
Punches and dies have particularly long service life due to the use of ultra hard cutting material. In the process, a costly diamond coating can be avoided, thus making the cost of consumables relatively low. When cutting very thin work-pieces, the service life once again increases significantly, making the process a more economically efficient solution.



The process

The dust formation during the nibbling process is significantly lower than during other competitive processes. This increases work safety and comfort immensely so that in most cases even personal protective equipment is rendered unnecessary. The punched out material is in the form of chips, which can be swept together without forming any dust. The chips can also be removed directly using the suction unit.

Average dust concentration
 (values given in per cent)
 Material: GFRP 2,5 mm thickness





5 Garantie
Warranty
Garanzia
Garantia

5-year warranty

Our machines are „Made in Switzerland“ – that stands for highest quality and assurance, you can rely on. Register online at www.trumpf.com within four weeks from the date of purchase, to extend your statutory warranty free-of-charge to a 5-year warranty and benefit from our extensive support.

Legend

You can find the symbols on the machine page 6



Quick & Easy
Fast and easy tool change.



Light weight
Low-weight machine for fatigue-free-use.



Low-vibration
For minimal vibration and maximum user-friendliness.



Optimum protection
No smoke and little dust.

Our drive: Passion

Whether production and manufacturing technology, laser technology or material processing: We develop highly innovative products and services that are industrial quality and proven absolutely reliable. We give it our all to achieve competitive advantages for you: Know-how and experience.



Visit us on YouTube:
www.youtube.com/TRUMPFtube



Lasers for manufacturing technology

Whether macro, micro or nano: we have the right lasers and the right technology that is innovative and at the same time cost-efficient for every production application. Beyond the technology, we provide you with system solutions, application knowledge and consulting.



Power supplies for high tech processes

From semiconductor manufacturing to solar cell production: with our high and medium frequency generators, power for induction heating and plasma and laser excitation receives a defined form consisting of frequency and power – that is highly reliable and repeatable.



Machine tools for flexible sheet metal- and tube processing

Laser cutting, punching, bending, laser welding: for all processes in flexible sheet metal production, we offer you precisely tailored machines and automation solutions, including consulting, software and services – so you can reliably produce your products in high quality.



Power tools for metal processing

Cutting, fastening, bevelling: our Power Tools offer the most innovative technology and the highest quality. Original accessories and a free 5-year warranty provide extra security. Whether on construction sites or in job shoppes: High-quality and long-lasting machines are our quality promise.



Industry 4.0

The solutions world TruConnect connects man and machine through information. It covers all steps in the manufacturing process – from quote to the shipment of parts.